

**7FLEX<sup>®</sup>**  
MONITOR ARMS



**HAT**  
DESIGN WORKS™  
HUMAN ACTIVE TECHNOLOGY

# ERGONOMIC MONITOR POSITONING.

7Flex monitor arm suspends your flat panel monitor above the worksurface. Move the monitor precisely where you need it and simply move it out of the way when not in use.



## FEATURES

- **Responsive:** One-touch monitor adjustment.
- **Space-Saving:** Slim profile design folds up flat to occupy just 3" of space.
- **Adaptable:** Includes our FLEXmount, offering six different reconfigurable mounting solutions in one kit.
- **Cable Management:** Integrated cable management system hides cables and keeps your worksurface free of clutter.
- **Compatible:** VESA-monitor compatible – 75mm & 100mm quick-release VESA adapter included.

## SPECIFICATIONS

### Finishes

 Vista Black  
 104

### Dimensions

Screen Size: Up to 32"  
 Height Adjustment: 16"  
 Extension Range: 23.4"  
 Monitor Pivot: Landscape to Portrait  
 Weight Capacity: 7 – 17 lbs.  
 Rotation: 360° at three joints  
 Tilt: Up to 190° / Pan: 180°  
 Mount: Desk Edge, Thru-Desk,  
 Grommet, Wall Reverse Wall, Side Bolt

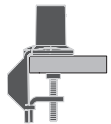
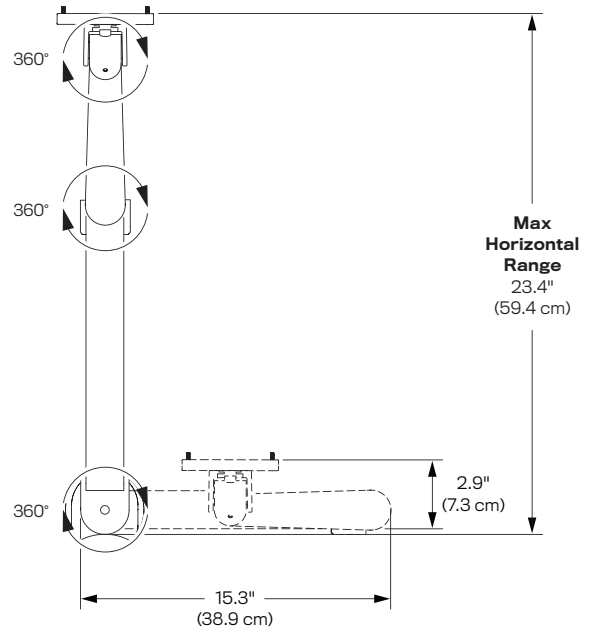
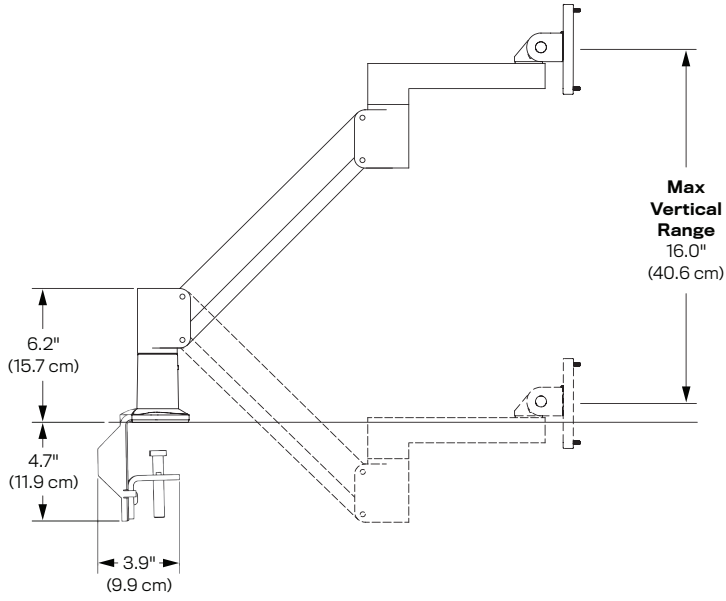
### Part Numbers

7FLEX-ETCN-104  
 7FLEX-ETUS-104 (TAA Compliant version)

## WARRANTY

10 Years

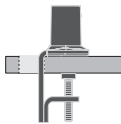
CAPABILITIES



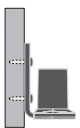
Desk Edge



Thru-Desk



Grommet



Wall



Reverse Wall



Side Bolt

