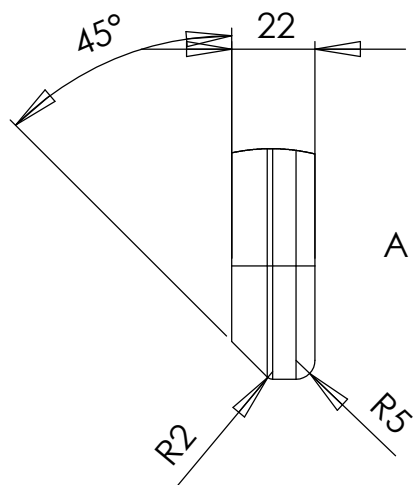
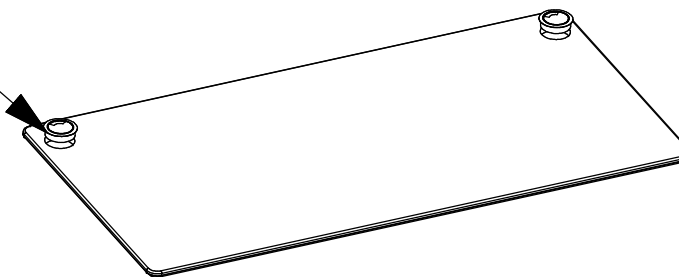


Cablevent, black (x2)  
302700



UNLESS OTHERWISE SPECIFIED DIMENSIONS ARE IN MM TOLERANCES ARE:  --	MATERIAL SPECIFICATION: --		<b>ConSet A/S</b> Staalvej 14-16 6900 Skjern Denmark	
	PROCES SPECIFICATION: --			
MATERIAL <input checked="" type="checkbox"/>	--		Square tabletop, 1600x800mm	
FINISH <input checked="" type="checkbox"/>	--			
DO NOT SCALE DRAWING	DRAWN JO	CHECKED GL	DATE 060320	XXXXXX
				REV. 0