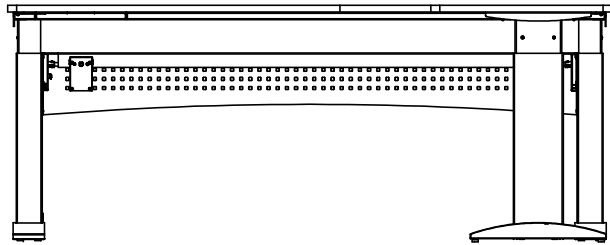
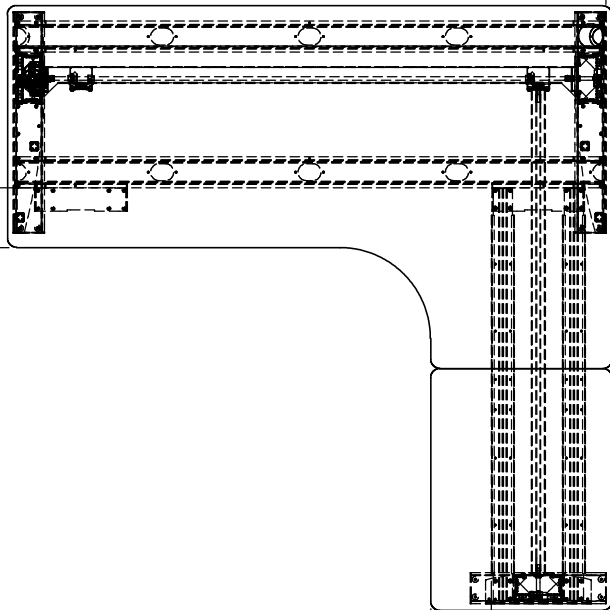


DO NOT SCALE DRAWING SHEET 1 OF 2		WEIGHT:		<b>ConSet A/S</b> Staalvej 14-16 DK-6900 Skjern Denmark <a href="http://www.conset.com">www.conset.com</a>	
UNLESS OTHERWISE SPECIFIED: DIMENSIONS ARE IN MILLIMETERS TOLERANCES: LINEAR: According to ANGULAR: DIN 7168-m	DRAWN	NAME	DATE	TITLE: Top mounting, 501-11, 156x156_160x160 R/L	
	CHECKED	jo	11-04-2010		
<b>PROPRIETARY AND CONFIDENTIAL</b> THE INFORMATION CONTAINED IN THIS DRAWING IS THE SOLE PROPERTY OF CONSET A/S. ANY REPRODUCTION IN PART OR AS A WHOLE WITHOUT THE WRITTEN PERMISSION OF CONSET A/S IS PROHIBITED.	Processes:			DWG NO.	REVISION
	Remarks:			121710	0



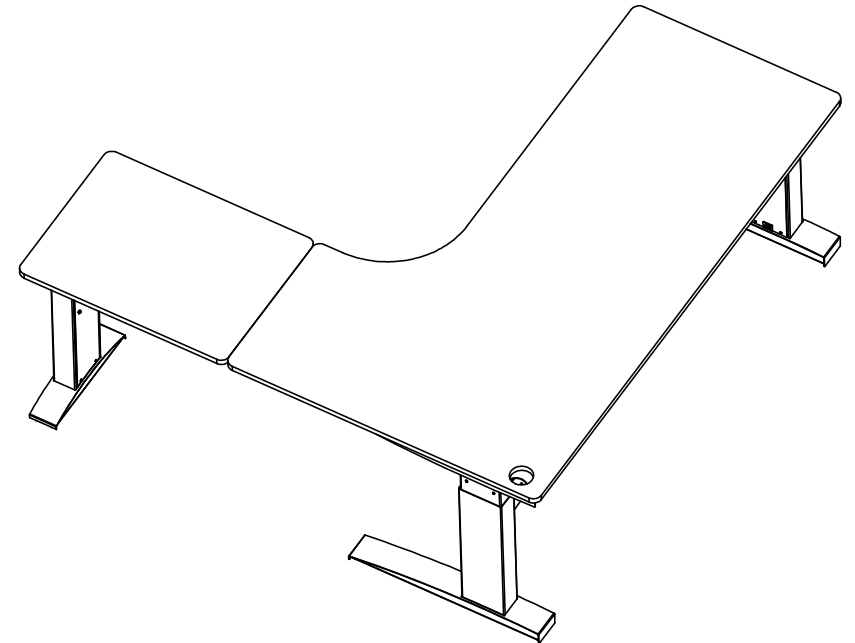
7-13/16"

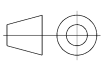


7-7/8"

3/4"

3/4"



DO NOT SCALE DRAWING		SHEET 2 OF 2				<b>ConSet A/S</b> <small>Staalvej 14-16 DK-6900 Skjern Denmark</small>	
UNLESS OTHERWISE SPECIFIED: DIMENSIONS ARE IN MILLIMETERS TOLERANCES: LINEAR: According to ANGULAR: DIN 7168-m		NAME		DATE		TITLE:	
		DRAWN jo		11-04-2010		Top mounting, 501-11, 196x196_200x200 R/L	
<b>PROPRIETARY AND CONFIDENTIAL</b> THE INFORMATION CONTAINED IN THIS DRAWING IS THE SOLE PROPERTY OF CONSET A/S. ANY REPRODUCTION IN PART OR AS A WHOLE WITHOUT THE WRITTEN PERMISSION OF CONSET A/S IS PROHIBITED.		CHECKED		Processes:			
		WEIGHT:				121710	