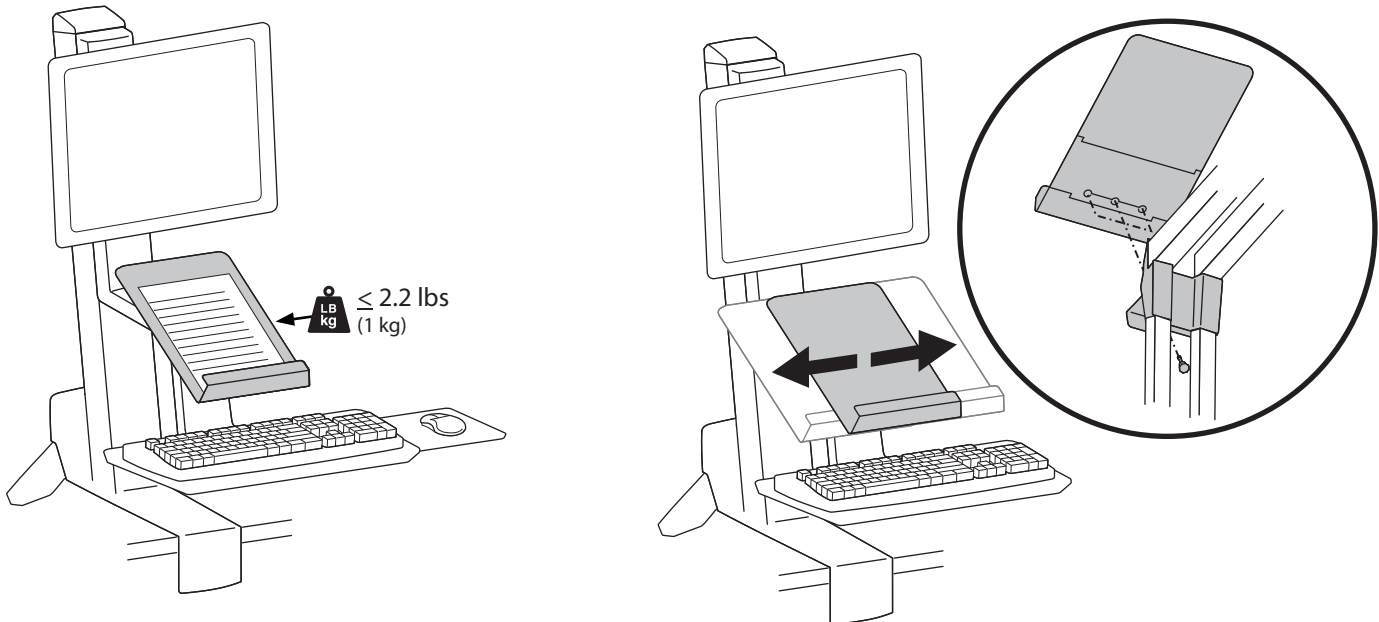
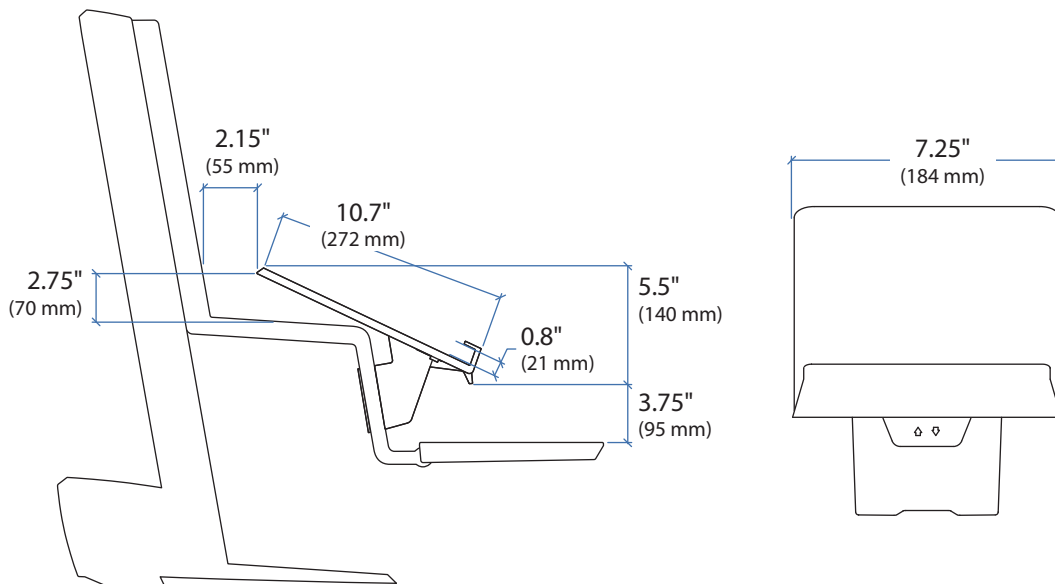


Tablet/Document Holder for WorkFit-S



When this accessory is added to the WorkFit-S, total weight capacity of the workstation is reduced by 1 lbs (.45 kg).



© 2011 Ergotron, Inc. rev. 10/04/2011 DIM-WFS-DOC Content is subject to change without notification

Americas Sales and Corporate Headquarters

St. Paul, MN USA
 (800) 888-8458
 +1-651-681-7600
www.ergotron.com
sales@ergotron.com

EMEA Sales

Amersfoort, The Netherlands
 +31 33 45 45 600
www.ergotron.com
info.eu@ergotron.com

APAC Sales

Tokyo, Japan
www.ergotron.com
apaccustomerservice@ergotron.com

Worldwide OEM Sales

www.ergotron.com
info.oem@ergotron.com

